



**PARTS MANUAL
FOR
MTL CARRIER ASSEMBLY**

MARMON-HERRINGTON ALL-WHEEL DRIVE

13001 Magisterial Drive • Louisville, KY 40223
(502) 253-0277 • (800) 227-0727 • Fax (502) 253-0317
E-mail: info@marmon-herrington.com

TABLE OF CONTENTS

REPLACEMENT PARTS & WARRANTY CLAIM PROCEDURE 3

MTL CARRIER HOUSING 4-5

MTL CARRIER AIR CHAMBER 6-7

MTL CARRIER DIFFERENTIAL 8-9



MARMON-HERRINGTON ALL-WHEEL DRIVE
13001 Magisterial Drive • Louisville, KY 40223
(502) 253-0277 • (800) 227-0727 • Fax (502) 253-0317
E-mail: info@marmon-herrington.com

PM05/03

REPLACEMENT PARTS

When ordering replacement parts for **MARMON-HERRINGTON LOW FLOOR** conversions, the following information should be given:

1. **FACTORY ORDER NUMBER** (found on I.D. Plate or small plate affixed to axle housing). This will be a six (6) digit number. (See illustrations this page.)
2. Component for which parts are required, i.e. front drive axle or transfer case/drop box.
3. Model of axle and/or transfer case/drop box, i.e. MT10, MVG 750, MDB500.
4. Give quantity and part number required.
NOTE: Drive lines, shift linkage, etc., can be found on the computer print out of Bill of Material, which is included in the Service Manual.
5. Give complete billing and shipping address.

WARRANTY CLAIM PROCEDURE

Before proceeding with repairs or ordering parts that you feel may be covered under warranty, you must first contact Marmon-Herrington Customer Service Department and obtain a Repair Authorization Number.


Please be prepared to supply all of the following information:

- **Factory Order Number** – This is located on an ID plate fixed to either the driver's door panel or the component (axle or transfer case) itself.
- **Model and Serial Number** (required) – Again located on the ID plate fixed to either the driver's door panel or the component itself.
- **Vehicle Year, Make and Model**
- **Vehicle Identification Number**
- **Mileage**
- **In Service Date**

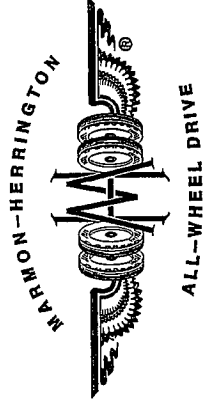
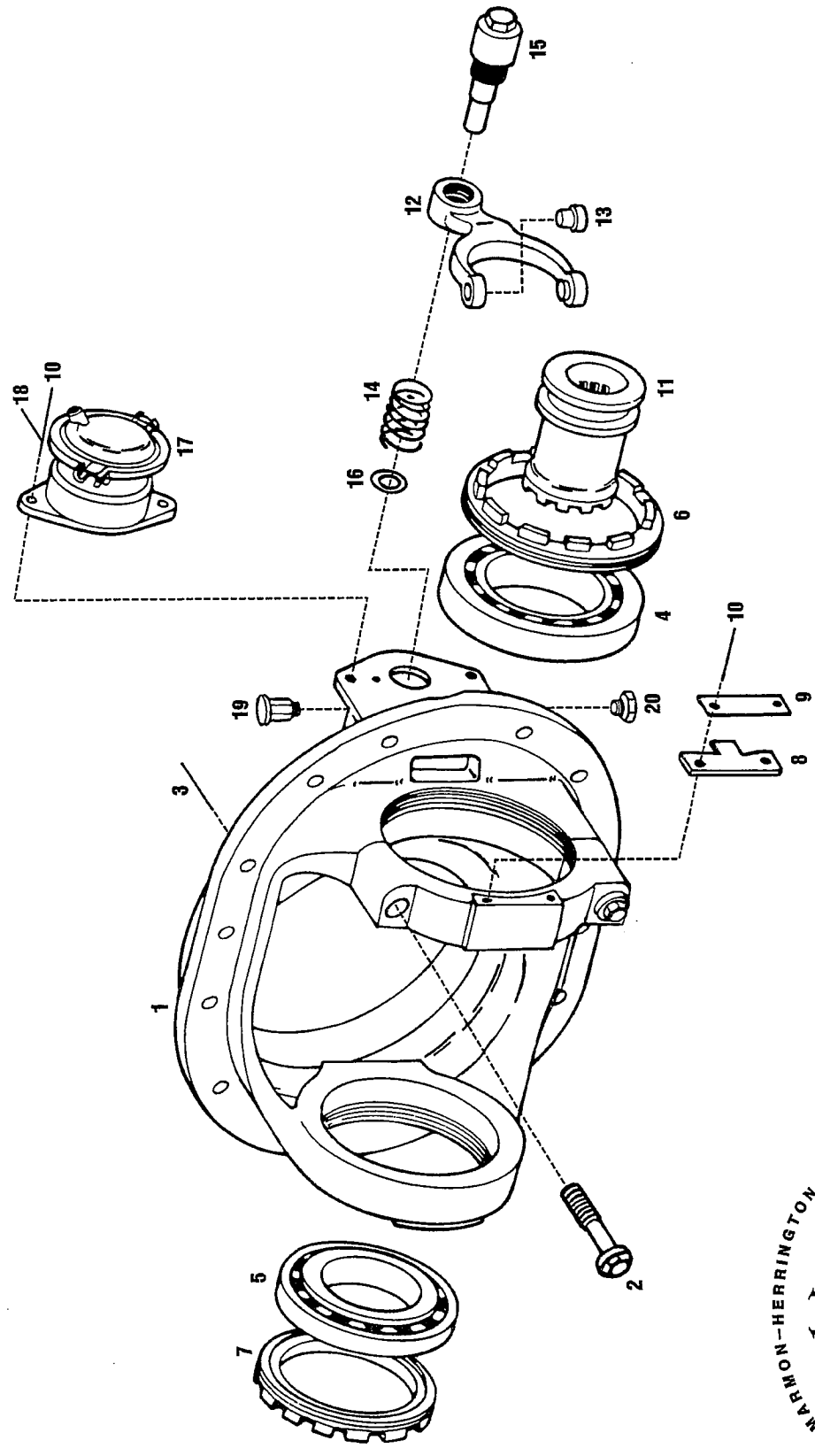
The information necessary for replacement parts and/or warranty claim procedures will be found on either plate design.

MARMON-HERRINGTON			
SALES ORDER	0000-00	RATIO	
S/N		TYPE	
CUST P/N			

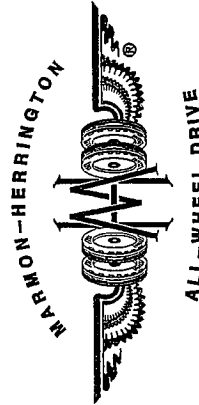
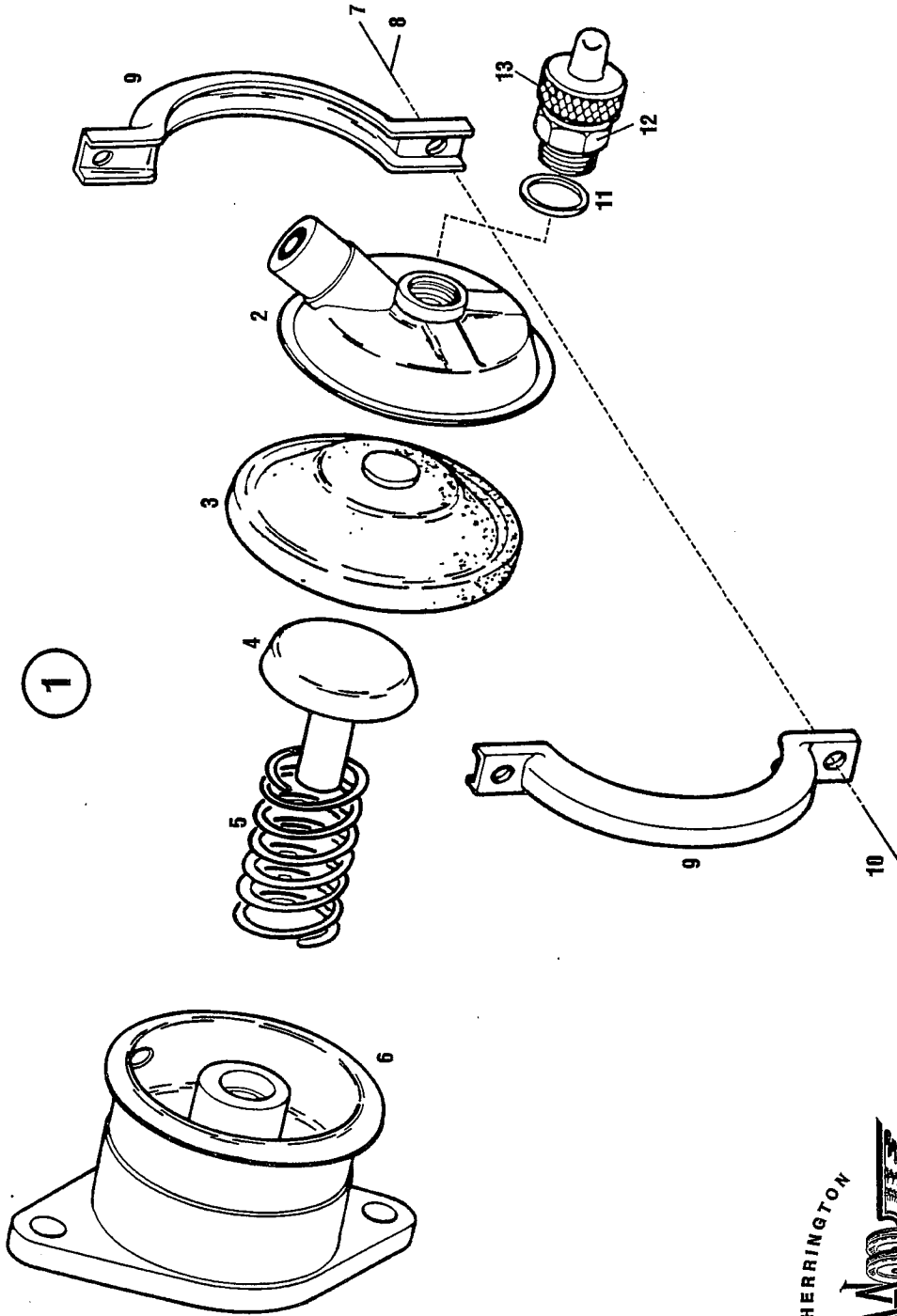
MARMON-HERRINGTON			
SALES ORDER	0000-00		
S/N		TYPE	
CUST P/N			
COVERED BY ONE OR MORE OF THE FOLLOWING PATENTS: U.S. PATENTS 4,878,691; 4,934,733; 5,016,912; 5,275,430; 5,839,750; AND 6,398,251; AND CA PATENT 1,316,185. OTHER U.S. AND FOREIGN PATENTS PENDING.			

	
ALL-WHEEL DRIVE	
LOUISVILLE, KENTUCKY U.S.A.	
FACTORY ORDER NO.	0000-00
INSTALLED BY	
FRONT DRIVING AXLE	
MODEL	
CAPACITY	
SERIAL NO.	
RATIO	
TRANSFER CASE	
MODEL	
SERIAL NO.	

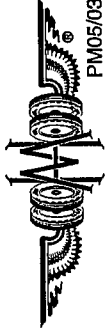
MTL CARRIER HOUSING



MTL CARRIER AIR CHAMBER



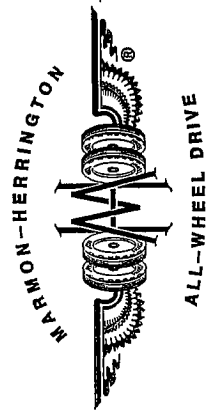
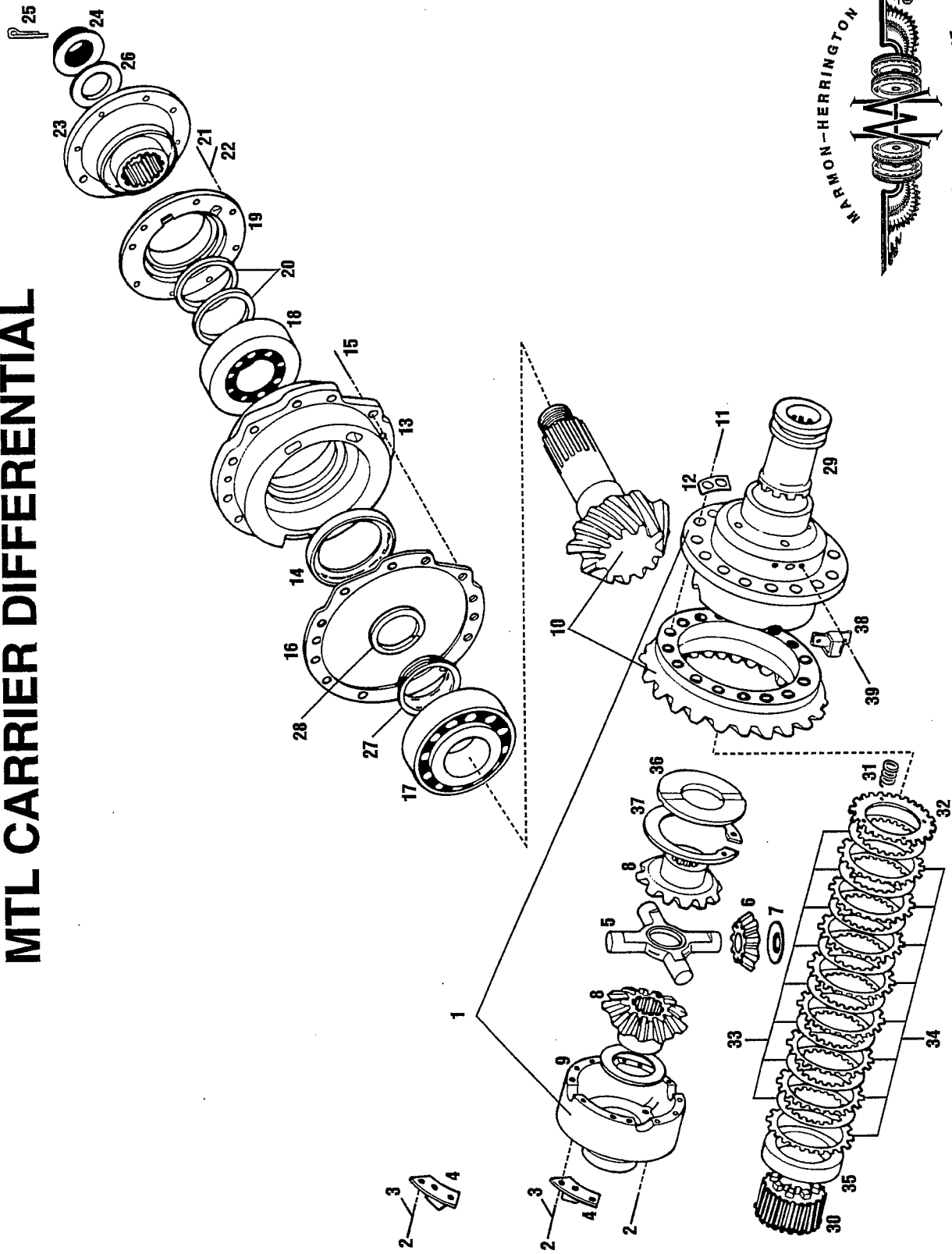
ITEM NO.	MH PART NO.	DESCRIPTION	QTY. REQ.	ITEM NO.	MH PART NO.	DESCRIPTION	QTY. REQ.
1	R22-1021	Differential Lock Actuating Air Chamber Assy.	1				
2	R22-1022	Cap	1				
3	R22-1023	Diaphragm	1				
4	R22-1024	Spring Cup	1				
5	R22-1025	Spring	1				
6	R22-1026	Housing	1				
7	103024	Hex Nut NF	2				
8	103319	Lock Washer	2				
9	R22-1029	Clamp Half	2				
10	454826	Hex Bolt 1/4x1 NF	2				
11	MVG12-1040	Washer	1				
12	MVG12-1041	Switch	1				
13	MT75-7750	Connecting	1				



MTL CARRIER AIR CHAMBER

MARMON-HERRINGTON ALL-WHEEL DRIVE
 13001 Magisterial Drive • Louisville, KY 40223
 (502) 253-0277 • (800) 227-0727 • Fax (502) 253-0317
 E-mail: info@marmon-herrington.com

MTL CARRIER DIFFERENTIAL



CARRIER P/N	PINION & RING GEAR RATIO	FINAL RATIO	DIFFERENTIAL CASE	ITEM NO.		
				ITEM NO.	MH PART NO.	QTY. REQ.
MTL17-1001	1.227	4.25	MTL17-1022	17	MT14-1075	1
MTL17-1002	1.318	4.56	MTL17-1022	18	MT14-1079	1
MTL17-1003	1.422	4.92	MTL17-1023	19	MT22-1070	1
MTL17-1004	1.526	5.29	MTL17-1023	20	MT22-1069	1
MTL17-1010	1.553	5.38	MTL17-1023	21	11500713	8
MTL17-1005	1.632	5.65	MTL17-1023	22	11500191	8
MTL17-1014	1.684	5.83	MTL17-1023	23	MT17-1050	1
MTL17-1013	1.765	6.11	MTL17-1023	24	MT22-1073	1
MTL17-1006	1.812	6.27	MTL17-1023	25	MT22-1075	1
MTL17-1015	1.929	6.68	MTL17-1023	26	MT14-1082	1
				27	103422	1
				28	MT22-1074	1
					MT14-1076	1
1	MTL17-1023	Diff. Case Halves, Assy. (4.92-6.68)		28	MT14-1077A	AR*
2	MTL17-1022	Diff. Case Halves, Assy. (4.25-4.56)	1		MT14-1077B	AR
3	MT22-1066	Hex Bolt, Special	12		MT14-1077C	AR
4	MT22-1065	Washer, Special	4		MT14-1077D	AR
5	MTL17-1025	Oil Baffle Plate	2		MT14-1077E	AR
6	MT22-1061	Differential Cross	1		MT14-1077F	AR
7	MT22-1062	Differential Pinion	4		MT14-1077G	AR
8	MT22-1063	Washer, Differential Pinion Gear	4		MT14-1077H	AR
9	MTL17-1026	Differential Gear	2		MT14-1077I	AR
10	MT22-1059	Washer, Differential Side Gear	1		MT14-1077J	AR
	MT22-1054	Ring Gear and Pinion (1.227) 4.25	1		MT14-1077K	AR
	MT22-1053	Ring Gear and Pinion (1.318) 4.56	1		MT14-1077L	AR
	MT22-1056	Ring Gear and Pinion (1.422) 4.92	1		MT14-1077M	AR
	MT22-1057	Ring Gear and Pinion (1.526) 5.29	1		MT14-1077N	AR
	MT22-1043	Ring Gear and Pinion (1.553) 5.38	1		MTL17-1027	1
	MT22-1055	Ring Gear and Pinion (1.632) 5.65	1		MTL17-1028	1
	MT22-1047	Ring Gear and Pinion (1.684) 5.83	1		MTL17-1029	12
	MT22-1046	Ring Gear and Pinion (1.765) 6.11	1		MTL17-1030	1
	MT22-1058	Ring Gear and Pinion (1.812) 6.27	1		MTL22-1053	8
	MT22-1040	Ring Gear and Pinion (1.929) 6.68	1		MTL22-1052	8
11	MT22-1050	Hex Bolt, Special	16		MTL17-1031	1
12	MT22-1224	Lock Plate	8		MTL17-1032	1
13	MT22-1068	Bearing Cage Assy.	1		MTL17-1033	1
14	MT14-1078	Oil Baffle Plate	1			
15	MT22-1077	Flanged Bolt, Special	12			
16	MT22-1067A	Shim, 1.0 MM	AR			
	MT22-1067B	Shim, .50 MM	AR			
	MT22-1067C	Shim, .30 MM	AR			
	MT22-1067D	Shim, .25 MM	AR			
	MT22-1067E	Shim, .20 MM	AR			

*Note: Choose 2 to produce proper bearing preload.

MARMON-HERRINGTON ALL-WHEEL DRIVE
 13001 Magisterial Drive • Louisville, KY 40223
 (502) 253-0277 • (800) 227-0727 • Fax (502) 253-0317
 E-mail: info@marmon-herrington.com

MTL CARRIER DIFFERENTIAL





13001 Magisterial Drive • Louisville, KY 40223
(502) 253-0277 • (800) 227-0727 • Fax (502) 253-0317
E-mail: info@marmon-herrington.com