

**Brought to you by Pro Gear &
Transmission.**

For parts or service call:

**877-776-4600
407-872-1901**



www.globaldifferentialsupply.com

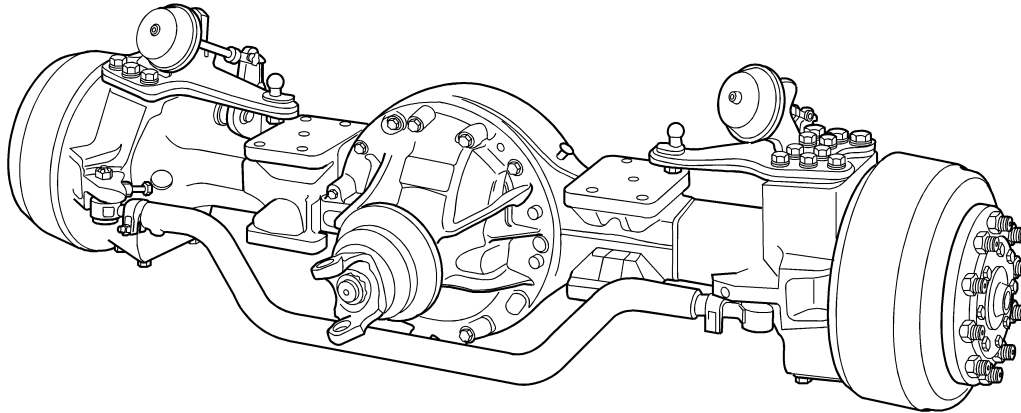
**906 W. Gore St. Orlando, FL 32805
parts@eprogear.com**



MERITOR™
A Heritage of Rockwell Technology

Front Drive Steer Axle

RF-21-160



Product Summary

The RF-21-160 front drive axle is used in a wide range of heavy-duty on-/off-highway applications. The RF-21-160 carrier shares the same components and features found in the standard production RS-160 series single rear axles and RT-160 series tandem axles. All brake and hub and drum component features are shared by Meritor RF-16/21/23 front drive axles.

RF-21-160 Standard Features:

- 16.5" x 6" (419mm x 152mm) Q Plus cam brakes
- Meritor automatic slack adjusters
- 35 degree turn angle capability
- Inclined king pins
- Outboard-mounted brake drums
- Stud-piloted wheel mounting for 10 stud x 11.25" (285.75mm) or 13.19" (335mm) pattern
- Easy Steer™ king pin bushings
- Permalube™ 92N u-joint axle shafts
- 66.5" (1689mm) KPI
- Tie rod adjustment sleeve for easy toe-in adjustment
- Bolted ring gear to differential case
- Triple-lip pinion seal
- Precision-forged differential gears

- Wide ratio selection - 2.80:1 to 7.17:1
- Robust spring mounting pads - top and bottom of rectangular high strength housing
- Tucked tie rod position to minimize exposure to road debris

RF-21-160 Options:

- ABS-ready wheel ends with installed tone ring and sensor
- Central tire inflation (CTI) ready wheel ends
- Hub-piloted wheel mounting for 10 stud x 11.25" (285.75mm) or 13.19" (335mm) pattern
- Driver-controlled differential lock (DCDL)
- Knuckle power steer assist arms and housing bowl mounting pad for assist cylinder mounting

Typical Vehicle Vocations:

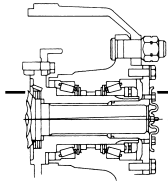
- Ready-Mix Front or Rear Discharge
- Airport Rescue Fire Fighter (ARFF)
- Oilfield - Equipment and Exploration
- Crane and Excavator Carriers
- Snow Plow/Blower/Broom
- Construction Equipment
- Fire trucks - Pumpers, Aerials, Rescue

Features

Benefits

Outboard-mounted brake drums

Easier inspection and serviceability;
Brakes can be serviced without removing hub;
Reduce maintenance costs



Automatic slack adjusters

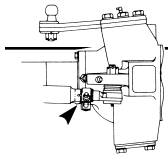
Help ensure proper brake adjustment

Permalube™ 92N u-joint axle shafts

Greatly reduce lube maintenance

Greaseable hub-protected, readily accessible fitting in drive flange for lubrication of wheel end splines

Ensures longer drive flange/axle shaft spline life



Drop center cross tube tucked behind axle housing contour

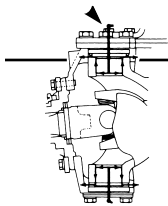
Protects tie rod from being bent or damaged

Tie rod adjuster sleeve for easy toe adjustment

Saves time and effort in establishing proper toe-in specification

Up to 35 degree turn angle capability

Improves maneuverability



Highly efficient greasing system for king pin bushings and thrust bearing

Extends bushing and thrust bearing life;
Ensures thorough grease distribution

Inclined king pin

Improves vehicle stability at high speeds

Sealed Easy Steer™ king pin bushings

Reduce steering effort;
Provide longer bushing life

Sealed thrust bearing

Bearing reduces steering effort;
Seal extends life

Driver-controlled differential lock (DCDL)

Provides maximum off-road low speed (below 5 MPH) (0.8 KmPH) traction

Seals compatible with synthetic oils

Choice of carrier lubricating oil

Central Tire Inflation (CTI) ready

Permits maximum tire flotation for poor low speed off-road conditions

Specifications^①: RF-21-160

GAWR ^④ LBS. (Kg)	RING GEAR SIZE (PITCH DIAMETER) INCHES (mm)	AXLE SHAFT SPLINE SIZE/ BODY DIAMETER INCHES (mm)	STANDARD RATIOS	HOUSING SIZE/ WALL THICKNESS AT SPRING SEAT INCHES (mm)	WEIGHT ^② LBS. (Kg)	OIL ^③ CAPACITY PINTS (Liters)	BRAKE TYPE AND SIZE INCHES (mm)
21,000 (9526)	18.00 (457.2)	2.35 (59.7) 46 TEETH 2.25 (57.2)	2.80, 2.93, 3.07, 3.21, 3.42, 3.58, 3.73, 3.91, 4.10, 4.30, 4.56, 4.89, 5.13, 5.38, 5.63, 5.86, 6.14, 6.83, 7.17	5.50 x 5.50/0.62 (139.7 X 139.7/15.9)	1973 (895)	43.7 (20.7)	CAM-MASTER Q 16.5 X 6 (419 X 152)

HUB AND DRUM BOLT CIRCLE DIA. INCHES (mm)	(KPI) KING PIN INTERSECTION INCHES (mm)		TYPICAL TRACK INCHES (mm)		ANTI-LOCK BRAKING SYSTEM (ABS)	DRIVER-CONTROLLED MAIN DIFFERENTIAL LOCK	CENTRAL TIRE INFLATION (CTI) READY
	STANDARD	OPTIONAL	STANDARD KPI	OPTIONAL KPI			
10 STUD, 11.25 (285.75) 10 STUD, 13.19 (335)	66.50 (1689)	68.50 (1740)	81.80 (2078)	83.80 (21.29)	OPTIONAL	OPTIONAL	OPTIONAL

① Permitted use of axles and components, including capacity ratings where stated, vary with application and service. Applications should be approved by Meritor Axle and Brake Engineering Departments. Approved ratings may be higher or lower than indicated above, dependent upon engineering review.

② Axle weights less oil, brakes, hubs, drums, bearing cones, seals, wipers, suspension brackets, yokes and options.

③ Oil capacities for standard KPI axles measured at the various common drive pinion angles and include quantities for both wheel ends. Capacities will change if KPI or drive pinion angle is different.

④ Airport runway operating snow plow/blower/broom vehicles can be rated up to 26,000 lbs. (11,794kg) by specific request for application approval.



MERITOR[™]
A Heritage of Rockwell Technology

The entire family of Meritor axles is an integral member of **Drivetrain Plus™** by Meritor, the industry's most complete drivetrain. For more information, call **800-535-5560**.

Meritor Heavy Vehicle Systems, LLC
2135 West Maple Road
Troy, Michigan 48084 U.S.A.
www.meritorauto.com

© Copyright 1999
Meritor Automotive, Inc.

Litho in U.S.A.

Revised 7-99
TP-9438 (47865/11900)