

**Brought to you by Pro Gear &  
Transmission.**

**For parts or service call:**

**877-776-4600  
407-872-1901**



**[www.globaldifferentialsupply.com](http://www.globaldifferentialsupply.com)**

**906 W. Gore St. Orlando, FL 32805  
[parts@eprogear.com](mailto:parts@eprogear.com)**



**PARTS MANUAL  
FOR  
MTL CARRIER ASSEMBLY**

**MARMON-HERRINGTON ALL-WHEEL DRIVE**

13001 Magisterial Drive • Louisville, KY 40223  
(502) 253-0277 • (800) 227-0727 • Fax (502) 253-0317  
E-mail: [info@marmon-herrington.com](mailto:info@marmon-herrington.com)

# TABLE OF CONTENTS

REPLACEMENT PARTS & WARRANTY CLAIM PROCEDURE . . . . .	3
MTL CARRIER HOUSING . . . . .	4-5
MTL CARRIER AIR CHAMBER . . . . .	6-7
MTL CARRIER DIFFERENTIAL . . . . .	8-9



**MARMON-HERRINGTON ALL-WHEEL DRIVE**  
13001 Magisterial Drive • Louisville, KY 40223  
(502) 253-0277 • (800) 227-0727 • Fax (502) 253-0317  
E-mail: [info@marmon-herrington.com](mailto:info@marmon-herrington.com)

PM05/03

## REPLACEMENT PARTS

When ordering replacement parts for **MARMON-HERRINGTON LOW FLOOR** conversions, the following information should be given:

1. **FACTORY ORDER NUMBER** (found on I.D. Plate or small plate affixed to axle housing). This will be a six (6) digit number. (See illustrations this page.)
2. Component for which parts are required, i.e. front drive axle or transfer case/drop box.
3. Model of axle and/or transfer case/drop box, i.e. MT10, MVG 750, MDB500.
4. Give quantity and part number required.  
**NOTE:** Drive lines, shift linkage, etc., can be found on the computer print out of Bill of Material, which is included in the Service Manual.
5. Give complete billing and shipping address.

## WARRANTY CLAIM PROCEDURE

Before proceeding with repairs or ordering parts that you feel may be covered under warranty, you must first contact Marmon-Herrington Customer Service Department and obtain a Repair Authorization Number.


Please be prepared to supply all of the following information:

- **Factory Order Number** – This is located on an ID plate fixed to either the driver's door panel or the component (axle or transfer case) itself.
- **Model and Serial Number** (required) – Again located on the ID plate fixed to either the driver's door panel or the component itself.
- **Vehicle Year, Make and Model**
- **Vehicle Identification Number**
- **Mileage**
- **In Service Date**

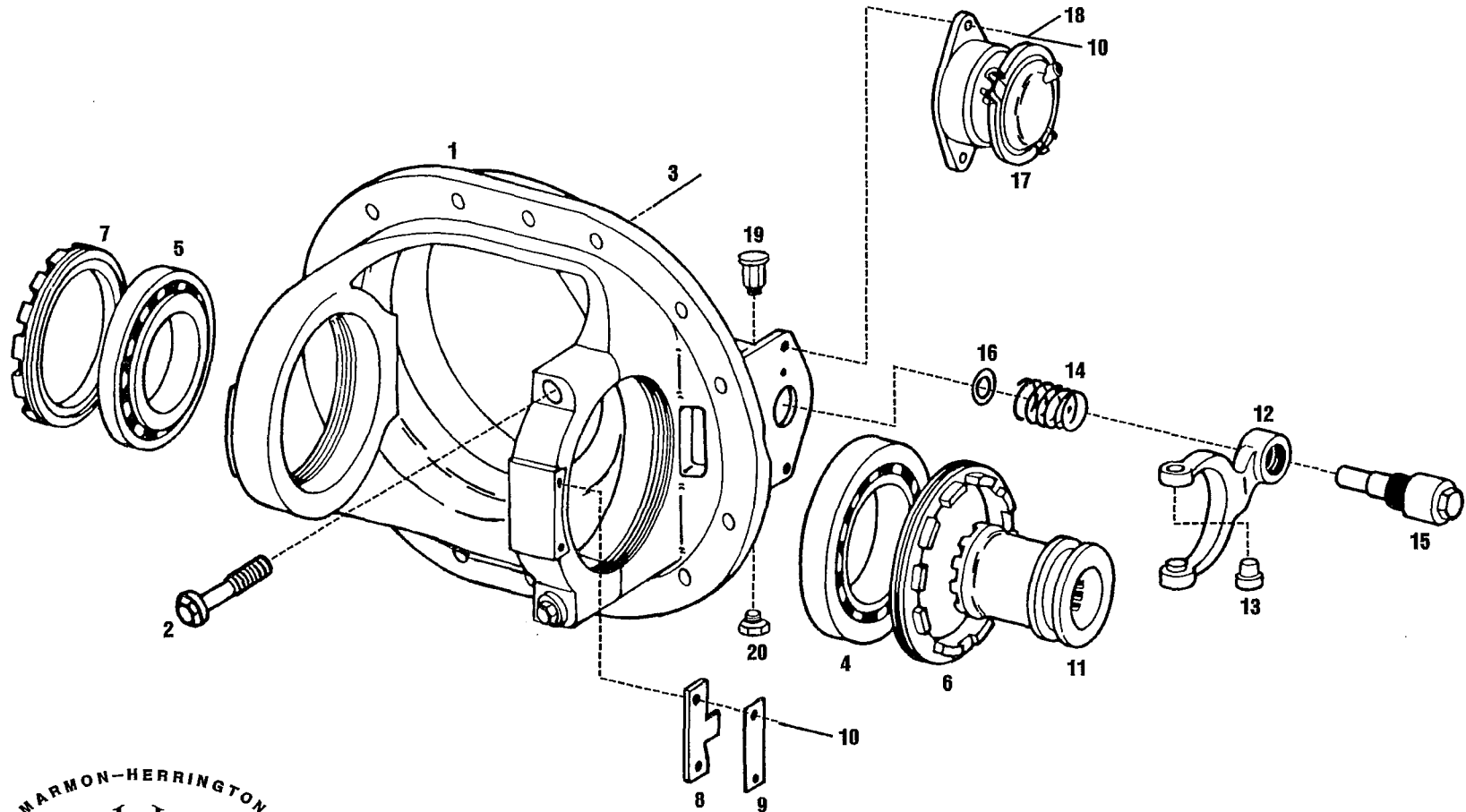
The information necessary for replacement parts and/or warranty claim procedures will be found on either plate design.

<b>MARMON-HERRINGTON</b>			
SALES ORDER	0000-00	RATIO	
S/N		TYPE	
CUST P/N			

<b>MARMON-HERRINGTON</b>			
SALES ORDER	0000-00		
S/N		TYPE	
CUST P/N			
COVERED BY ONE OR MORE OF THE FOLLOWING PATENTS: U.S. PATENTS 4,878,691; 4,934,733; 5,016,912; 5,275,430; 5,839,750; AND 6,398,251; AND CA PATENT 1,316,185. OTHER U.S. AND FOREIGN PATENTS PENDING.			

 <p>MARMON-HERRINGTON ALL-WHEEL DRIVE LOUISVILLE, KENTUCKY U.S.A.</p>	
FACTORY ORDER NO.	0000-00
INSTALLED BY	
FRONT DRIVING AXLE	
MODEL	
CAPACITY	
SERIAL NO.	
RATIO	
TRANSFER CASE	
MODEL	
SERIAL NO.	

# MTL CARRIER HOUSING



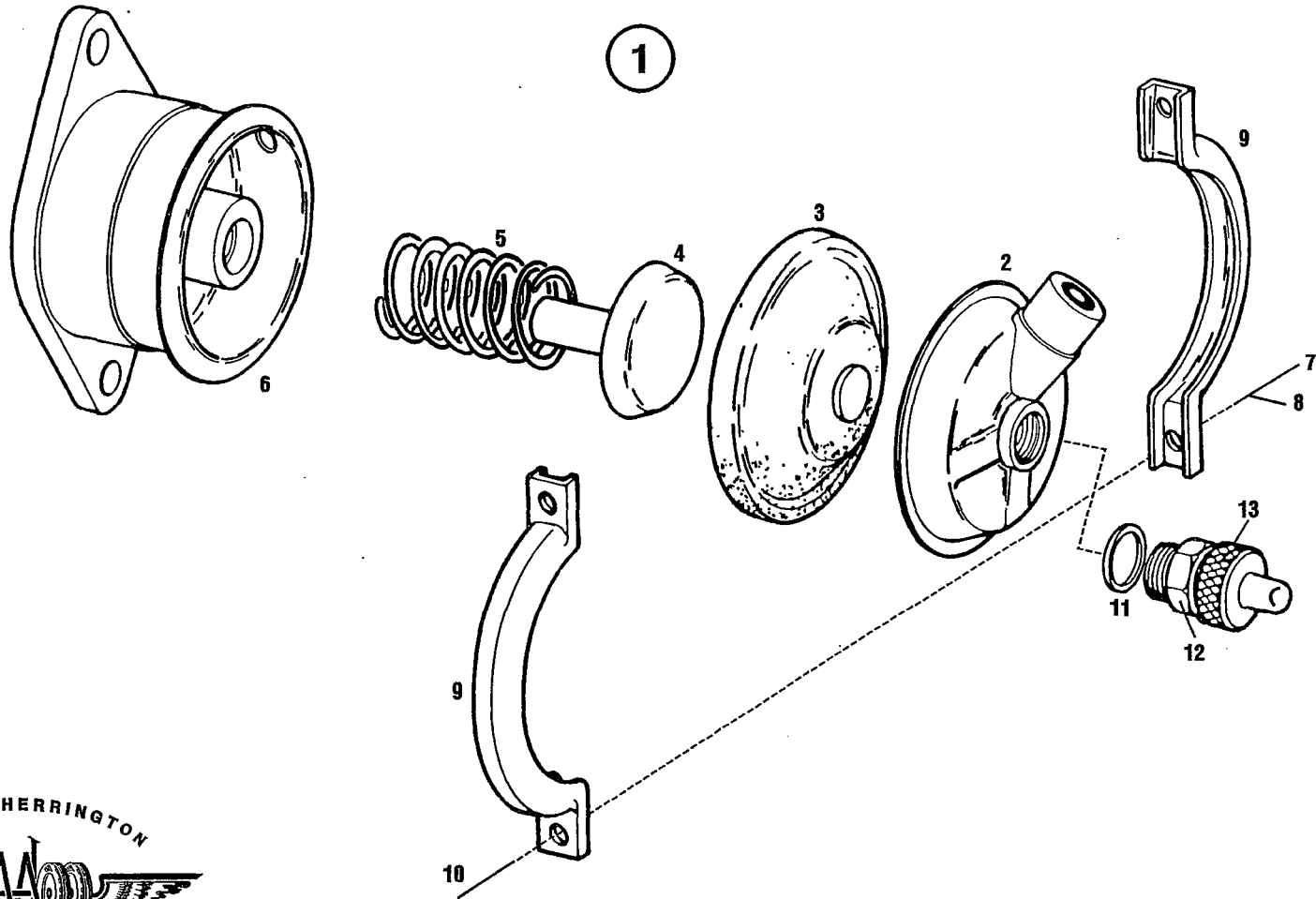
ITEM NO.	MH PART NO.	DESCRIPTION	QTY. REQ.	ITEM NO.	MH PART NO.	DESCRIPTION	QTY. REQ.
1	R22-1030	Differential Carrier Housing Assy.	1				
2	R22-1028	Hex Bolt, M16x85-1.5	2				
3	MT22-1077	Flanged Bolt, Special	14				
4	MT14-1053	Taper Roller Bearing	1				
5	MT22-1078	Taper Roller Bearing	1				
6	MT14-1052	Bearing Adjuster, M142x1.5	1				
7	MT22-1079	Bearing Adjuster, M133x2	1				
8	MT22-1080	Adjuster Lock Plate	2				
9	MT22-1081	Lock Plate	2				
10	11500773	Hex Bolt, M9x15	6				
11	MTL17-1027	Clutch Sleeve	1				
12	R22-1058	Shift Fork Assy.	1				
13	R22-1059	Shift Fork Slider	1				
14	R22-1015	Spring	1				
15	R22-1016	Push Rod	1				
16	R22-1017	Washer	AR				
17	R22-1021	Differential Lock Actuating Air Chamber Assy.	1				
18	11500191	Lock Washer	2				
19	MT14-1068	Vent Valve	1				
20	R22-1060	Plug with Sealant	1				
		AR = As Required					

**MARMON-HERRINGTON ALL-WHEEL DRIVE**  
 13001 Magisterial Drive • Louisville, KY 40223  
 (502) 253-0277 • (800) 227-0727 • Fax (502) 253-0317  
 E-mail: info@marmon-herrington.com

## MTL CARRIER HOUSING



# MTL CARRIER AIR CHAMBER



ITEM NO.	MH PART NO.	DESCRIPTION	QTY. REQ.	ITEM NO.	MH PART NO.	DESCRIPTION	QTY. REQ.
1	R22-1021	Differential Lock Actuating Air Chamber Assy.	1				
2	R22-1022	Cap	1				
3	R22-1023	Diaphragm	1				
4	R22-1024	Spring Cup	1				
5	R22-1025	Spring	1				
6	R22-1026	Housing	1				
7	103024	Hex Nut NF	2				
8	103319	Lock Washer	2				
9	R22-1029	Clamp Half	2				
10	454826	Hex Bolt 1/4x1 NF	2				
11	MVG12-1040	Washer	1				
12	MVG12-1041	Switch	1				
13	MT75-7750	Connecting	1				

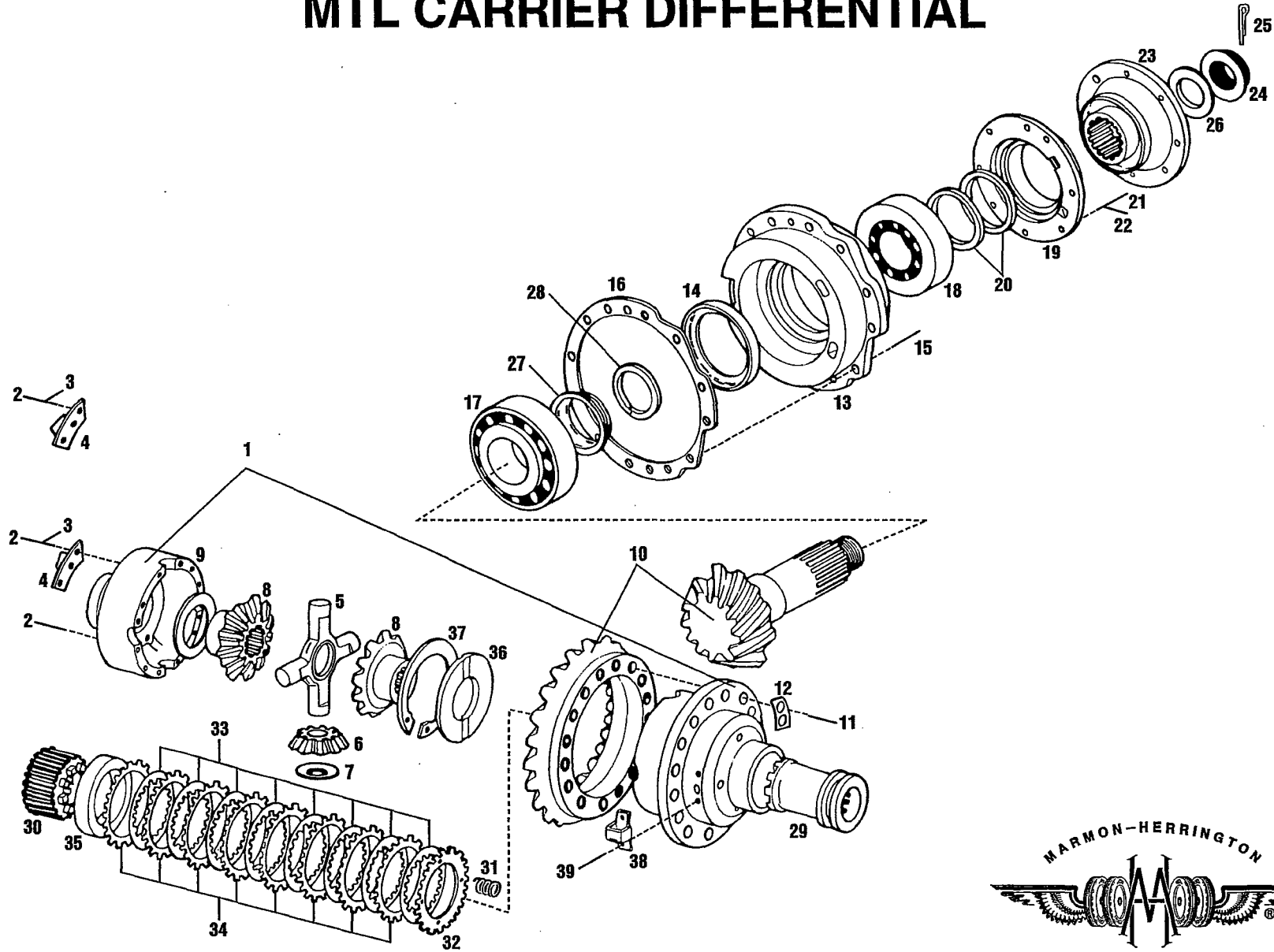
**MARMON-HERRINGTON ALL-WHEEL DRIVE**  
 13001 Magisterial Drive • Louisville, KY 40223  
 (502) 253-0277 • (800) 227-0727 • Fax (502) 253-0317  
 E-mail: info@marmon-herrington.com

**MTL CARRIER AIR CHAMBER**





# MTL CARRIER DIFFERENTIAL



				ITEM NO.	MH PART NO.	DESCRIPTION	QTY. REQ.
CARRIER P/N	PINION & RING GEAR RATIO	FINAL RATIO	DIFFERENTIAL CASE	17	MT14-1075	Pinion Bearing, Inner	1
MTL17-1001	1.227	4.25	MTL17-1022	18	MT14-1079	Pinion Bearing, Outer	1
MTL17-1002	1.318	4.56	MTL17-1022	19	MT22-1070	Cover	1
MTL17-1003	1.422	4.92	MTL17-1023	20	MT22-1069	Oil Seal Kit, Pinion	1
MTL17-1004	1.526	5.29	MTL17-1023	21	11500713	Hex Bolt, M8x22	8
MTL17-1010	1.553	5.38	MTL17-1023	22	11500191	Flat Lock Washer, M8	8
MTL17-1005	1.632	5.65	MTL17-1023	23	MT17-1050	Companion Flange, 1610 Series	1
MTL17-1014	1.684	5.83	MTL17-1023		MT22-1073	Companion Flange, 1710 Series	1
MTL17-1013	1.765	6.11	MTL17-1023	24	MT22-1075	Self-Lock Pinion Nut, M42x1	1
MTL17-1006	1.812	6.27	MTL17-1023		MT14-1082	Pinion Castle Nut	1
MTL17-1015	1.929	6.68	MTL17-1023	25	103422	Cotter Pin	1
				26	MT22-1074	Washer, Special	1
				27	MT14-1076	Distance Sleeve	1
ITEM NO.	MH PART NO.	DESCRIPTION	QTY. REQ.	28	MT14-1077A	Bearing Distance Ring, 6.90 MM	AR*
1	MTL17-1023	Diff. Case Halves, Assy. (4.92-6.68)	1		MT14-1077B	Bearing Distance Ring, 7.00 MM	AR
	MTL17-1022	Diff. Case Halves, Assy. (4.25-4.56)	1		MT14-1077C	Bearing Distance Ring, 7.02 MM	AR
2	MT22-1066	Hex Bolt, Special	12		MT14-1077D	Bearing Distance Ring, 7.04 MM	AR
3	MT22-1065	Washer, Special	4		MT14-1077E	Bearing Distance Ring, 7.06 MM	AR
4	MTL17-1025	Oil Baffle Plate	2		MT14-1077F	Bearing Distance Ring, 7.08 MM	AR
5	MT22-1061	Differential Cross	1		MT14-1077G	Bearing Distance Ring, 7.10 MM	AR
6	MT22-1062	Differential Pinion	4		MT14-1077H	Bearing Distance Ring, 7.20 MM	AR
7	MT22-1063	Washer, Differential Pinion Gear	4		MT14-1077I	Bearing Distance Ring, 7.32 MM	AR
8	MTL17-1026	Differential Gear	2		MT14-1077J	Bearing Distance Ring, 7.44 MM	AR
9	MT22-1059	Washer, Differential Side Gear	1		MT14-1077K	Bearing Distance Ring, 7.56 MM	AR
10	MT22-1054	Ring Gear and Pinion (1.227) 4.25	1		MT14-1077L	Bearing Distance Ring, 7.68 MM	AR
	MT22-1053	Ring Gear and Pinion (1.318) 4.56	1		MT14-1077M	Bearing Distance Ring, 7.80 MM	AR
	MT22-1056	Ring Gear and Pinion (1.422) 4.92	1		MT14-1077N	Bearing Distance Ring, 7.92 MM	AR
	MT22-1057	Ring Gear and Pinion (1.526) 5.29	1				
	MT22-1043	Ring Gear and Pinion (1.553) 5.38	1	29	MTL17-1027	Clutch Sleeve	1
	MT22-1055	Ring Gear and Pinion (1.632) 5.65	1	30	MTL17-1028	Toothed Hub	1
	MT22-1047	Ring Gear and Pinion (1.684) 5.83	1	31	MTL17-1029	Spring	12
	MT22-1046	Ring Gear and Pinion (1.765) 6.11	1	32	MTL17-1030	Backing Disk	1
	MT22-1058	Ring Gear and Pinion (1.812) 6.27	1	33	MTL22-1053	Inner Clutch Plate	8
	MT22-1040	Ring Gear and Pinion (1.929) 6.68	1	34	MTL22-1052	Outer Clutch Plate	8
11	MT22-1050	Hex Bolt, Special	16	35	MTL17-1031	Spacer Ring	1
12	MT22-1224	Lock Plate	8	36	MTL17-1032	Differential Side Washer	1
13	MT22-1068	Bearing Cage Assy.	1	37	MTL17-1033	Lock Ring	1
14	MT14-1078	Oil Baffle Plate	1	38	MTL17-1034	Oiler Scoop	2
15	MT22-1077	Flanged Bolt, Special	12	39	MTL17-1035	Countersunk Screw	4
16	MT22-1067A	Shim, 1.0 MM	AR				
	MT22-1067B	Shim, .50 MM	AR				
	MT22-1067C	Shim, .30 MM	AR				
	MT22-1067D	Shim, .25 MM	AR				
	MT22-1067E	Shim, .20 MM	AR				

\*Note: Choose 2 to produce proper bearing preload.

**MARMON-HERRINGTON ALL-WHEEL DRIVE**  
 13001 Magisterial Drive • Louisville, KY 40223  
 (502) 253-0277 • (800) 227-0727 • Fax (502) 253-0317  
 E-mail: info@marmon-herrington.com

## MTL CARRIER DIFFERENTIAL





13001 Magisterial Drive • Louisville, KY 40223  
(502) 253-0277 • (800) 227-0727 • Fax (502) 253-0317  
E-mail: [info@marmon-herrington.com](mailto:info@marmon-herrington.com)