

**Brought to you by Pro Gear &  
Transmission.**

**For parts or service call:**

**877-776-4600  
407-872-1901**



**[www.globaldifferentialsupply.com](http://www.globaldifferentialsupply.com)**

**906 W. Gore St. Orlando, FL 32805  
[parts@eprogear.com](mailto:parts@eprogear.com)**

# SDA-23 STEERABLE DRIVE AXLE PARTS MANUAL



Telephone (925) 454-9500 Fax (925) 454-9501  
151 Lawrence Drive, Livermore, CA 94551

---



# PARTS MANUAL

## INDEX

STEERABLE DRIVE AXLE ASSEMBLY .....	27
STEERABLE DRIVE END ASSEMBLY .....	29
BRAKE CALIPER ASSEMBLY .....	31

### TO USE THIS BOOK:

1. Refer to the exploded view which illustrates the needed part.
2. Find the required part in the exploded view and then note the item number or numbers.
3. Locate the item number in the parts list for part number, description and quantity.

### NOTE:

1. Before ordering parts for a Fabco Steerable Drive Axle, please refer to the Fabco nameplate on the left rear of the axle housing. Specify model number, serial number, part number, ratio or other information on the nameplate when ordering parts.
2. The axle housing and the steering arm are unique to your specification. Our parts personnel can refer to the specific Bill of Material and determine part numbers for these parts.
3. The exploded views in this book illustrate:
  - a. The entire axle assembly
  - b. The axle ends—known as the Steerable Drive Ends
  - c. The disc brake caliper

### ADDITIONAL PARTS MANUALS:

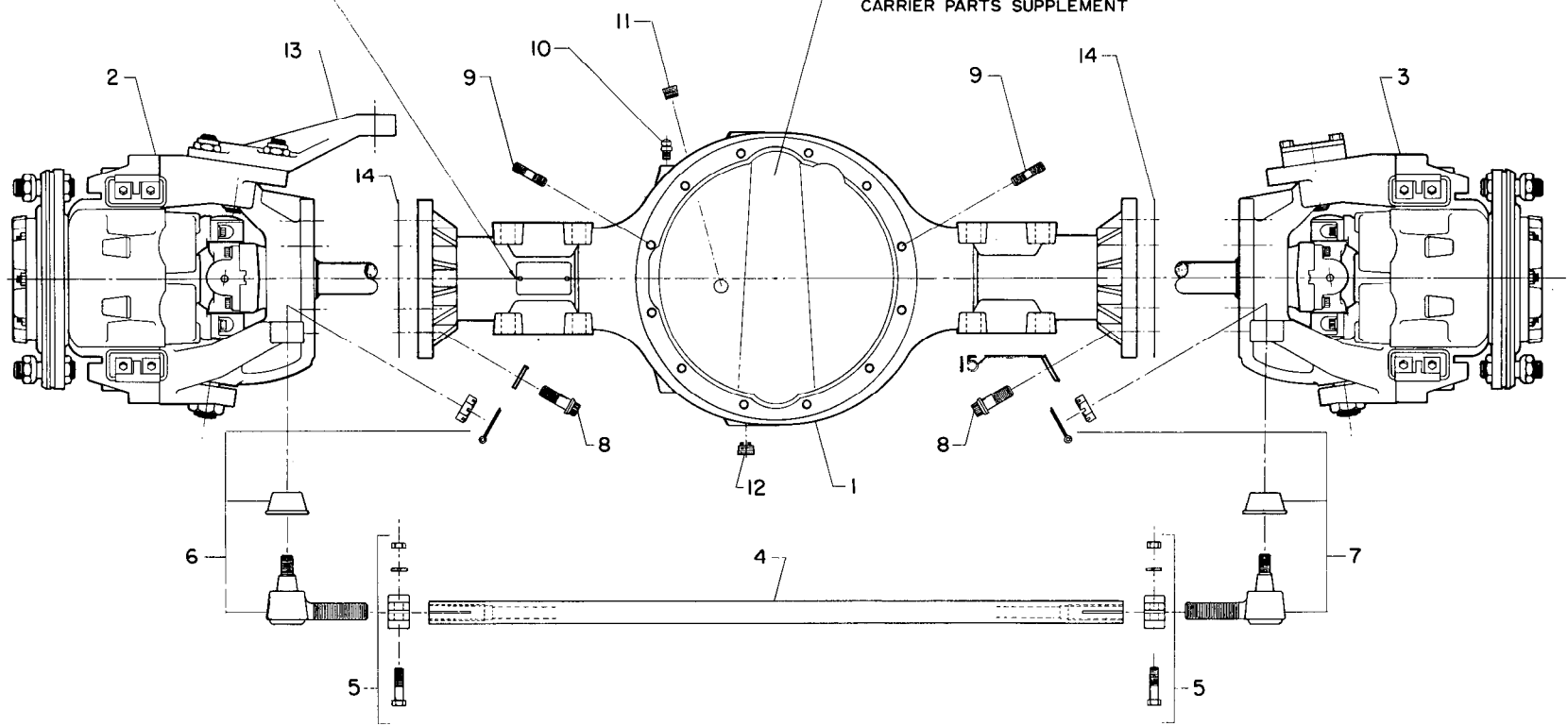
Single Reduction Differential Parts Manual  
Double Reduction Differential Parts Manual  
Drive Thru Differential Parts Manual

Part numbers contained in this manual were in effect at the time the manual was approved for printing and are subject to change without notice or liability—Fabco reserves the right to change parts at any time.

# STEERABLE DRIVE AXLE ASSEMBLY

WHEN ORDERING PARTS PROVIDE SERIAL NUMBER, MODEL, AND PART NUMBER AS NOTED ON AXLE NAMEPLATE.

SEE DIFFERENTIAL CARRIER PARTS SUPPLEMENT



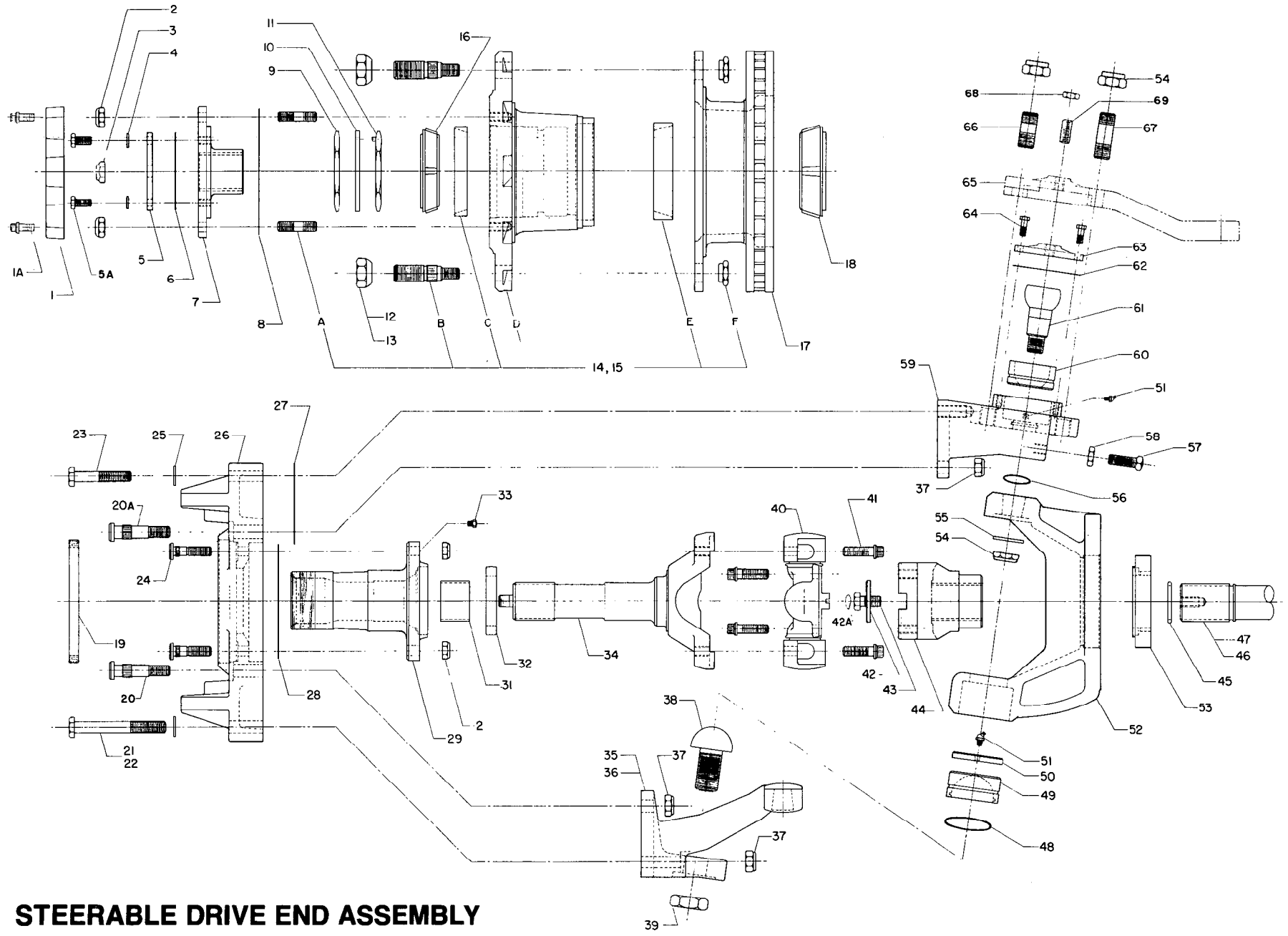
**STEERABLE DRIVE AXLE ASSEMBLY**

ITEM	PART NO.	DESCRIPTION	QUANTITY PER AXLE
1	—	*Housing, Axle	1
2	561 023***	End, Left Steerable Drive	1
3	561 023***	End, Right Steerable Drive	1
4	883 924001	Tube, Tie Rod	1
5	255 427	Clamp Assembly, Tie Rod	2
6	363 272	End, Left Tie Rod	1
7	363 273	End, Right Tie Rod	1
8	724 624	Cap screw, Steerable Drive End Mounting	24
9	788 553 001	Stud, Differential Carrier Mounting	2
10	836 222	Breather	1
11	758 369	Plug, Axle Housing Oil Level, Magnetic	1
12	758 274	Plug, Axle Housing Drain, Magnetic	1
13	—	*Arm, Steering	1
14	427 455	Gasket, Steerable Drive End to Axle Housing	2
15	927 336	Washer Lock	24

\*See Note 2, Index

\*See Note 2, Table of Contents

\*\*\*Specific End Assembly Part No. will be determined by Parts Department personnel with the data you supply from the axle serial plate.



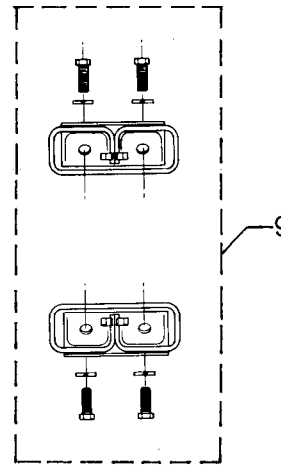
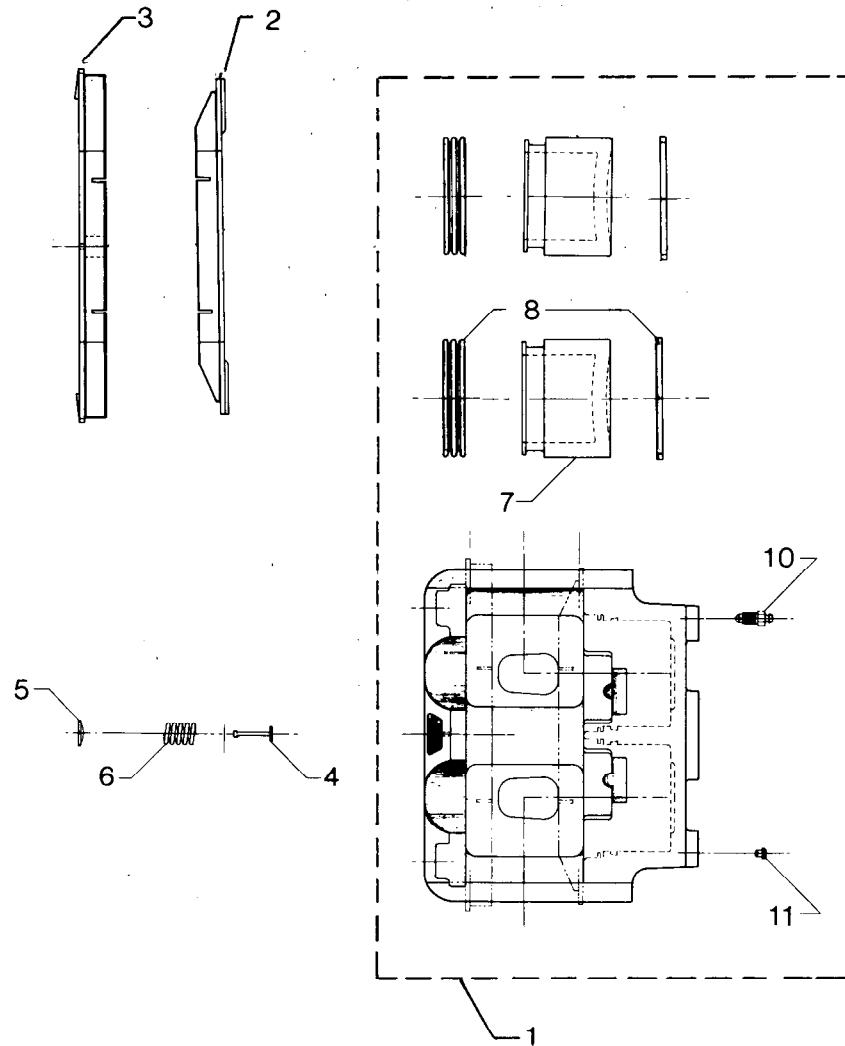
**STEERABLE DRIVE END ASSEMBLY**

# STEERABLE DRIVE END ASSEMBLY

ITEM	PART NO.	DESCRIPTION	QUANTITY PER		ITEM	PART NO.	DESCRIPTION	QUANTITY PER	
			AXLE L.H.	END R.H.				AXLE L.H.	END R.H.
1	483 263	Hub Cap	1	1	38	225 279	Ball Stud, Lower Kingpin	1	1
1A	724 667	Bolt, Hub Cap	2	2	39	688 578	Nut, Lower Kingpin Ball Stud Jam	1	1
2	688 292	Nut, Drive Flange Stud Lock	18	18	40	277 262	Cross and Bearing Assembly (SDA 23)	1	1
3	688 687	Nut, Yoke Shaft Retaining 3/4-16	1	1	41	277 265	Cross and Bearing Assembly (SDA 20 and SDA 21)		
	688 697 002	1 1/4-12				724 577	Capscrew, Cross and Bearing Mounting (SDA 23)	8	8
4	927 497	Sealing Washer, Hub Cap Bolt	6	6		724 336	Capscrew, Cross and Bearing Mounting (SDA 20 and SDA 21)		
5	483 246	Cap, Hub 7/8 Dia. Ctr. Hole	1	1	42	927 688	Washer, Inner Drive Yoke Retaining Bolt	1	1
	483 266	Dia. Ctr. Hole			42A	675 016	O-Ring	1	1
5A	265 359	Bolt, Cap	6	6	43	265989	Bolt, 5/8-18 x 1-1/2 HH, Flanged	1	1
6	744 298	Shim, Yoke Shaft	AR	AR	44	965 797	Yoke, Inner Drive (SDA 23)	1	1
7	352 366	Flange, Drive	1	1		965 845	Yoke, Inner Drive (SDA 20 and SDA 21)	1	1
8	427 389	Gasket, Drive Flange	1	1	45	762 292	Ring, Split Retaining	1	1
9	688 626	Nut, Wheel Bearing Lock	1	1	46	769 299 001	* Shaft, Inner Axle, 31" lg. (SDA 21 and SDA 23)	1	1
10	927 689	Washer, Wheel Bearing Lock	1	1		742 984	* Shaft, Inner Axle, 31" lg (SDA 20)		
11	6881626	Nut, Wheel Bearing Adjustment (With Dowel)	1	1	47	769 299 002	* Shaft, Inner Axle, 25-3/4" lg. (SDA 21 and SDA 23)	1	1
						742 985	* Shaft, Inner Axle, 25-3/4" lg. (SDA 20)		
12	688 592	Nut, Left Hand Wheel	10		48	675 232	O-Ring, Lower Kingpin	1	1
13	688 593	Nut, Right Hand Wheel		10	49	234 424	Bearing, Lower Kingpin	1	1
14	482 060 001	Assembly, Wheel Hub, Left Hand	1		50	347 273	Disc. Lower Kingpin Bearing	1	1
15	482 060 002	Assembly, Wheel Hub, Right Hand		1	51	358 223	Fitting, Grease	2	2
A	788 553 002	Stud, Drive Flange	8	8	52	965 847	Yoke, Suspension	1	1
B	788 544 005	Stud, Left Hand Wheel	10		53	7321356	Seal Assembly, Inner Drive Yoke	1	1
	788 544 006	Stud, Right Hand Wheel		10	54	688 274	*** Nut, Upper Kingpin and Steering Arm	5	5
C	233 429	Bearing Cup, Outer Wheel	1	1	55	927 649	Washer, Upper Kingpin	1	1
D	482 335	Hub, Wheel	1	1	56	675 222	O-Ring, Upper Kingpin	1	1
E	233 399	Bearing Cup, Inner Wheel	1	1	57	724 576	Set Screw, Steering Stop	1	1
F	688 646	Nut, Wheel Stud Lock	10	10	58	688 533	Nut, Steering Stop Lock	1	1
16	233 428	Bearing Cone, Outer Wheel	1	1	59	273 469	Bracket, Upper Kingpin (LH or RH)	1	1
17	347 266	Rotor, Disc Brake	1	1	60	234 239	Bearing, Upper Kingpin	1	1
18	233 398	Bearing Cone, Inner Wheel	1	1	61	225 278	Ball Stud, Upper Kingpin	1	1
19	732 347	Seal, Hub	1	1	62	427 395	** Gasket, Upper Kingpin Cap		1
20	788 538 010	Stud, Lower Kingpin Bracket Mounting	2	2	63	235 369	** Cap, Upper Kingpin		1
20A	788 538 014	Stud, Upper Kingpin Bracket Mounting	2	2	64	265 242	** Bolt, Upper Kingpin Cap		5
21	265 872	Bolt, Lower Kingpin Bracket Mounting	1	1	65		*** Arm, Steering See Note 2, Table of Contents	1	
22	265 924	Bolt, Lower Kingpin Bracket Mounting	1	1	66	788 555 001	*** Stud, Steering Arm Outboard (2-5/16 lg )	2	
23	265 887	Bolt, Upper Kingpin Bracket Mounting	2	2	67	788 555 002	*** Stud, Steering Arm Inboard (3" lg )	2	
24	788 539 002	Stud, Spindle	10	10	68	668 636	Nut, Kingpin Adjusting	1	1
25	927 555	Washer, Kingpin Bracket Mounting	4	4	69	724 676	Screw, Set Kingpin Adjusting	1	1
26	793 278	Plate, Torque	1	1					
27	793 265	Shim, Camber Adjustment	1	1					
28	427 392	Gasket, Spindle	1	1					
29	7741274	Spindle	1	1					
31	234 426	Bearing, Sleeve included in item 29	—	—					
32	732 348	Seal, Outer Yoke Shaft	1	1					
33	836 235	Vent, Wheel Bearing Relief	1	1					
34	965 768	Shaft, Yoke	1	1					
35	273 623	Bracket, Left Lower Kingpin	1						
36	273 624	Bracket, Right Lower Kingpin		1					
37	688 532	Nut, Lower and Upper Kingpin Bracket Mounting, Lock	6	6					

\* Axle shafts may differ from right to left according to position of differential  
Specify length when ordering  
\*\* Upper kingpin cap, bolts, and gasket may mount on left steerable drive end according to application of axle to vehicle  
\*\*\* Steering arm, studs, and stud nuts may mount on right steerable drive end according to application of axle to vehicle

# Brake Caliper Assembly



ITEM	PART NO.	DESCRIPTION	PER CALIPER
1	468 737	Caliper, Brake	1
*2	743 001	Shoe & Lining Assy, Inner, (Mintex M-170)	1
	743 008	Shoe & Lining Assy, Inner, (R-M 3001)	
*3	743 002	Shoe & Lining Assy, Outer, (Mintex M-170)	1
	743 009	Shoe & Lining Assy, Outer, (R-M 3001)	
4	746 687	Pin, Shoe Retainer	1
5	927 746	Cup, Shoe Retainer	1
6	777 488	Spring, Shoe Retainer	1
7	753 299	Piston	2
8	244 305	Kit, Seal and Boot	2
		(Kit Includes) 1 -Boot	
		1 -Seal	
9	7771474	Kit, Caliper Hold-down Assembly	2
		2-Springs	
		2-Retainers	
		(Kit Includes) 4-Bolts	
		4-Lockwashers	
10	357 896	Fitting, Bleeder	1
11	729 315	Insert, Tube Seat	1

\*Do not change from one brand of linings to the other without checking with Fabco or the chassis manufacturer. Braking Characteristics can be changed drastically. Replace brake pads with EXACT replacements.