

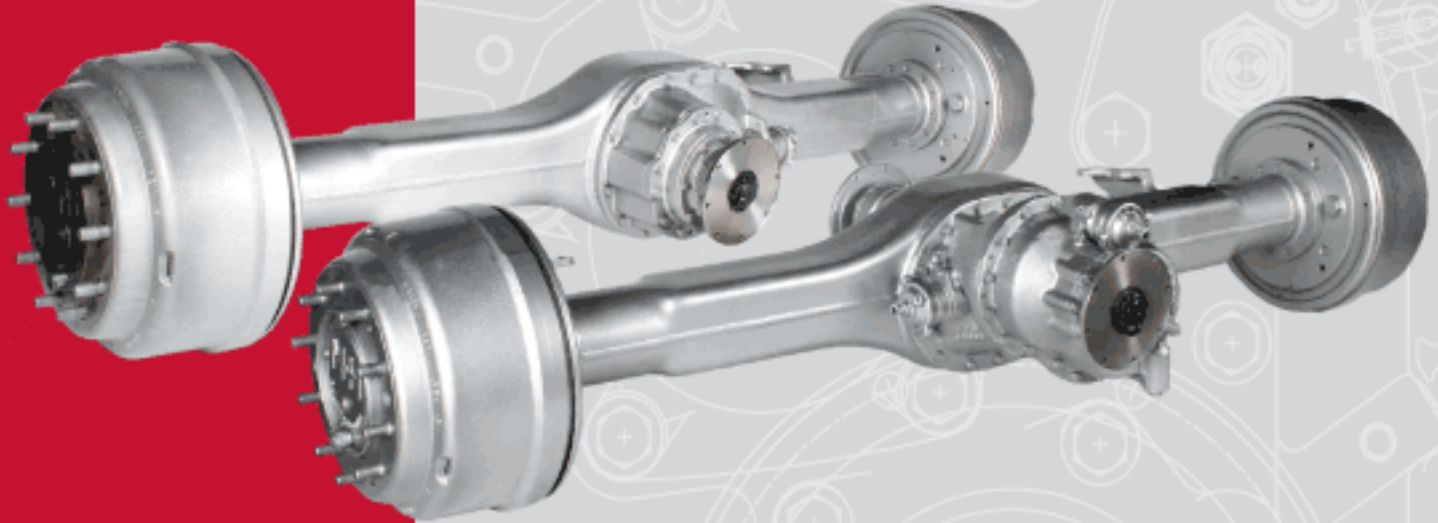
## R-17/RF-17

### Tandem Set

#### Rigid Rear Driving Axle

Rear drive axle tandem set designed specifically for direct matching with Marmon-Herrington front drive axle MT-17 series.

# Marmon-Herrington



**Capacity (at ground):** 34,000#

**Reductions Available:** 4.25, 4.56, 4.92, 5.29, 5.38, 5.65, 5.83, 6.11, 6.27, 6.68, 7.14, 7.72, 8.36, 8.52

**Planetary Hub Reduction:** 3.461:1

**Axle Type:** Full-Floating Driving Rear Axle

**Pinion Joint Series:** Spicer 1610, 1710, 1760, or 1810 / Meritor 161, 171, or 181 / SPL

**Differential:** Conventional with Driver-Controlled Lock, Interaxle Differential Lock in RF-17

**Axle Housing:** Steel Forging, 20.2 inch<sup>3</sup>S.M. @ Pad

**Wheel Mount:** Hub Piloted 285.75MM B.C., 10-Stud M22-1.5

**Wheel Mounting Distance:** 95"

**Track:** Approximately 81"

**Axle Mounting:** Spring Centers and Pad Width to Vehicle Requirements

**Approximate Axle Weight:** 1,540# / 1,730#

**Service Brakes:** 16 1/2" x 7" Air, S-Cam Actuated, Type 24 Chambers

**Parking Brake:** Type 24 Spring-Loaded on Service Chamber

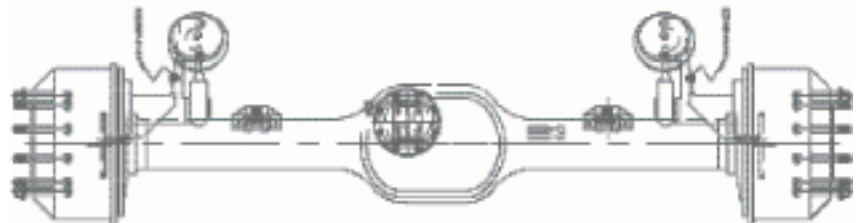
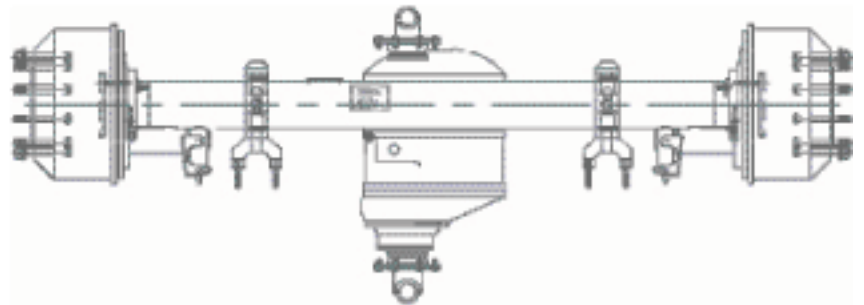
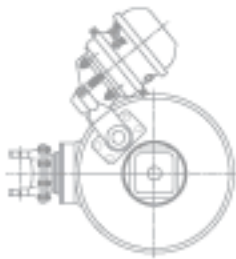
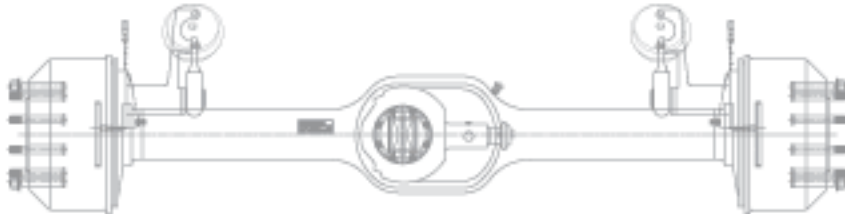
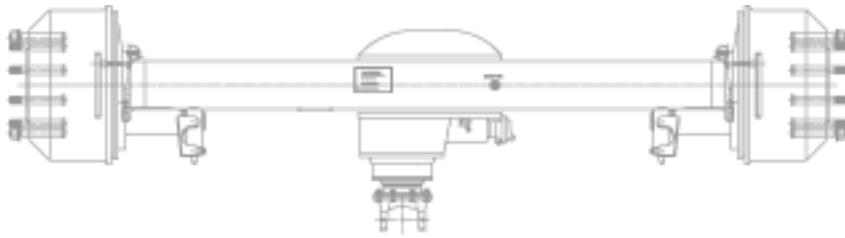
#### OPTIONS:

**Wheel Mount:** Hub Piloted 335mm B.C., 10-Stud with M-22 Thread

## R-17/RF-17

### Rigid Rear Driving Axle

# Marmon-Herrington



*\* For dimensional information, please contact Marmon-Herrington.*

## Marmon-Herrington:

**A legacy of  
engineering  
excellence that  
lives on today.**

For over 75 years, Marmon-Herrington has been pioneering driving solutions that keep fleets moving and provide long-term value. Among our inventions: the Marmon Wasp, the first car ever to win the Indianapolis 500; double-cardan steering joints and low-profile differentials. Today, we're known for our full line of dependable axle systems

with premium components, product flexibility and best-in-class support.

Whether you're an OEM ready to outfit a fleet or a fleet manager looking for a kitting solution, Marmon-Herrington has the right system to get the job done and keep you moving. To learn more, call us at (800) 227-0727.

